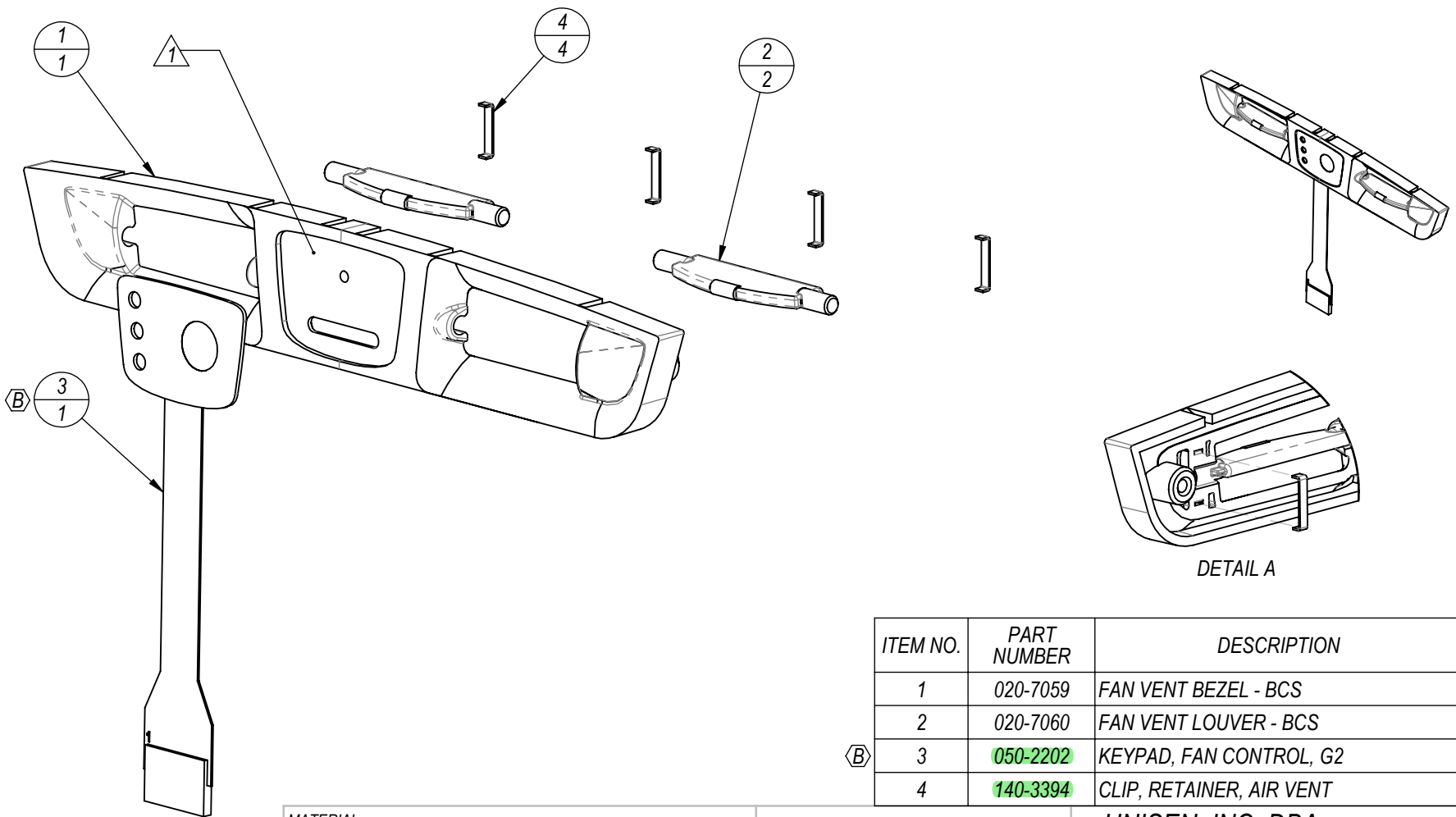


**NOTES:**  
 1. CLEAN SURFACE WITH ISOPROPYL ALCOHOL & LET DRY BEFORE APPLICATION OF KEYPAD.

REVISIONS				
REV.	DATE	DESCRIPTION	ECO	BY
A	03-16-07	RELEASE FOR PRODUCTION	11562	RLH
B	01-04-11	REPLACE P/N: 050-2026 WITH P/N: 050-2202	13469	SJK



ITEM NO.	PART NUMBER	DESCRIPTION	QTY.
1	020-7059	FAN VENT BEZEL - BCS	1
2	020-7060	FAN VENT LOUVER - BCS	2
<b>(B)</b> 3	<b>050-2202</b>	KEYPAD, FAN CONTROL, G2	1
4	<b>140-3394</b>	CLIP, RETAINER, AIR VENT	4

**DOCUMENT STATUS:**

MATERIAL SEE BOM	TOLERANCES UNLESS OTHERWISE SPECIFIED		<b>UNISEN, INC. DBA</b>  14410 Myford Road Irvine CA 92606
	X.XXX = ± .010" (0.25MM) X.XX = ± .030" (0.76MM) X.X = ± .050" (1.27MM) X. = ± .125" (3.20MM)	ANGLES = ± 2° FRACTIONS = ± 1/32	
FINISH NONE	INITIAL DRAWN SJK	DATE 12/2/06	REV <b>B</b>
VENDOR: N/A	P/N: N/A	U.O.M.	TITLE <b>ASSY, AIR VENT, BCS</b>
		SCALE: 1:1.5	SHEET 1 OF 1   SHEET SIZE: A

NOTICE OF PROPRIETARY INFORMATION  
 THIS DOCUMENT SHALL NOT BE REPRODUCED NOR SHALL THE INFORMATION CONTAINED HEREIN BE USED BY OR DISCLOSED TO OTHER EXCEPT AS EXPRESSLY AUTHORIZED BY UNISEN